



Premium performance



High load capacity



Extreme temperatures

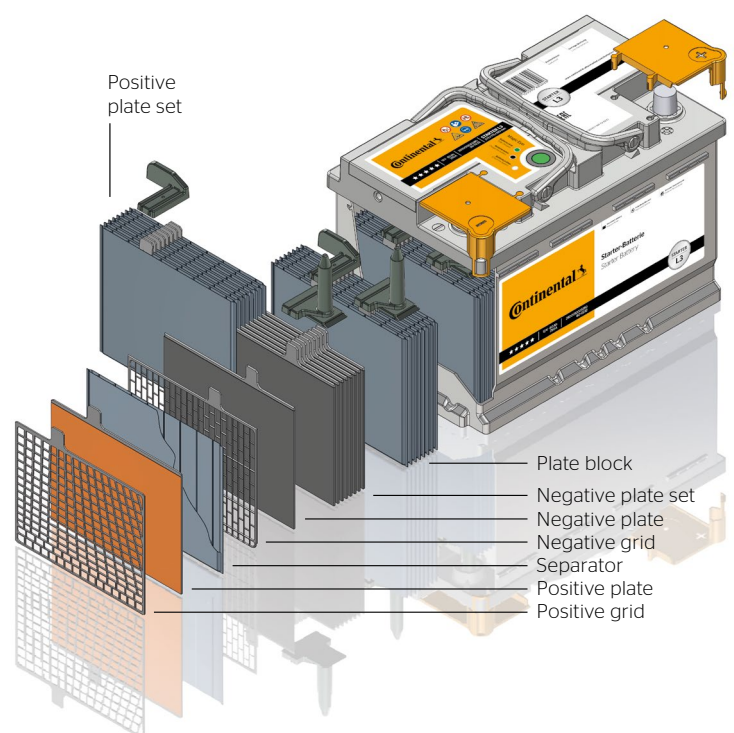


Starter battery with reliable lead-acid technology

The Continental starter battery with lead-acid technology is ideal for gasoline and diesel vehicles (HDI, TDI) without stop-start system. It impresses with low maintenance requirements and long life, and has been designed for demanding climatic and weather conditions.

Your advantages at a glance:

- › Ideal for gasoline and diesel vehicles (HDI, TDI) without start-stop system
- › Extreme safety: 100% leak-proof
- › Low maintenance - reduced labor and costs
- › Charge monitoring indicator (Magic Eye)
- › Two-year warranty

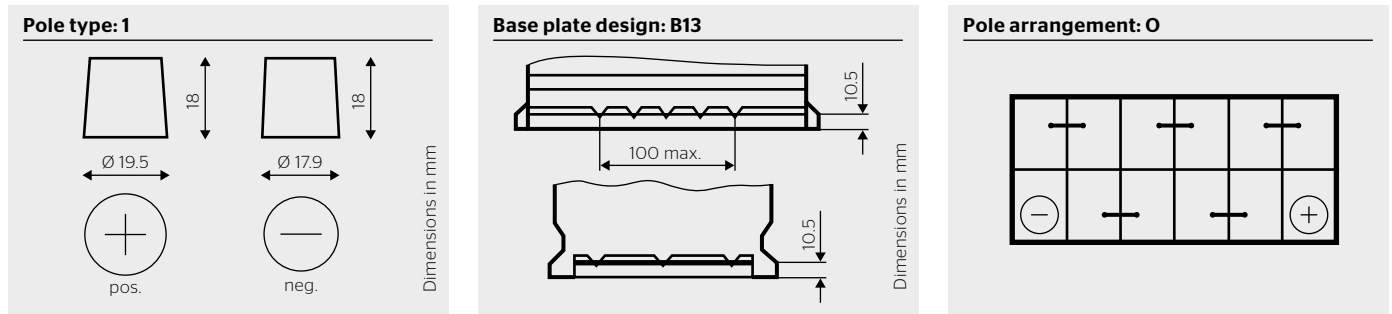


Lead-acid technology: Battery construction

Technical information

Article number	Type	Box	Dimensions LxWxH [mm]	Weight [kg]	Voltage [V]	Capacity [Ah]	Cold discharge test current [A]
2800012018280	Starter	LB1	207 x 175 x 175	11.8	12	50	500
2800012019280	Starter	L1	207 x 175 x 190	13.0	12	55	540
2800012020280	Starter	LB2	242 x 175 x 175	14.3	12	60	580
2800012021280	Starter	L2	242 x 175 x 190	15.5	12	65	640
2800012022280	Starter	LB3	278 x 175 x 175	16.4	12	70	680
2800012023280	Starter	L3	278 x 175 x 190	18.1	12	80	750
2800012024280	Starter	LB4	315 x 175 x 175	18.8	12	85	760
2800012025280	Starter	LB5	353 x 175 x 175	21.0	12	90	850
2800012026280	Starter	L5	353 x 175 x 190	23.2	12	100	900
2800012027280	Starter	L6	395 x 175 x 190	25.6	12	110	950

Technical details



Ordering information

Article number	Product description	EAN number	No off / pallet	Weight [kg] / pallet	Packing unit
2800012018280	Starter battery LB1 50/500	4103590680372	60	731	1
2800012019280	Starter battery L1 55/540	4103590680389	60	801	1
2800012020280	Starter battery LB2 60/580	4103590680396	60	876	1
2800012021280	Starter battery L2 65/640	4103590680402	60	951	1
2800012022280	Starter battery LB3 70/680	4103590680419	48	806	1
2800012023280	Starter battery L3 80/750	4103590680426	48	891	1
2800012024280	Starter battery LB4 85/760	4103590680433	42	809	1
2800012025280	Starter battery LB5 90/850	4103590680440	36	777	1
2800012026280	Starter battery L5 100/900	4103590680457	36	854	1
2800012027280	Starter battery L6 110/950	4103590680464	36	940	1

Continental batteries compared

Criteria	EFB battery	AGM battery	Starter battery
Vehicle type	Start-stop	Start-stop and recuperation	Without start-stop (gasoline/diesel vehicles)
Cycle stability	>> 200%*	>> 300%*	100%
Technology	EFB - Enhanced Flooded Battery	AGM - Absorbent Glass Mat	Lead-acid
Maintenance	Maintenance-free	Maintenance-free	Low maintenance
Number of battery types	6	3	10
Cold start capacity	115%*	135%*	100%
Specification	OE-equivalent	OE-equivalent	OE-equivalent
Quality level	OEM quality	OEM quality	OEM quality
Suitable for recuperation	-	Yes	-
Deep discharge	Good	Very good	-
Vibration protection	Good	Very good	-
Charge acceptance	Good	Very good	-
Charge indicator (Magic Eye)	Yes	-	Yes
Leak proof	-	Yes	Yes
Warranty	2 years	2 years	2 years

* compared with conventional batteries



Continental Aftermarket & Services GmbH
 Sodener Straße 9 · 65824 Schwalbach · Germany
 T. +49 69 7603-0
 info@continental-aftermarket.com
 www.continental-aftermarket.com